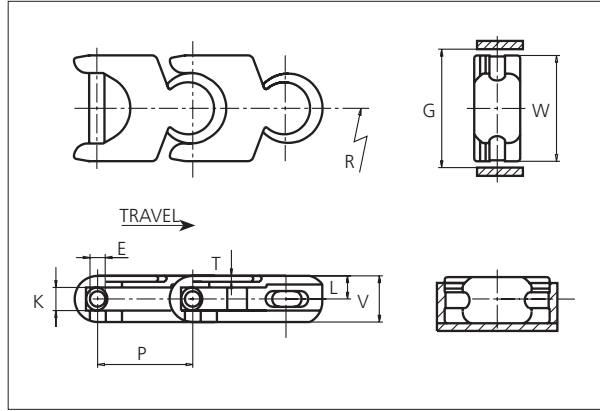


uni Flex Plastic Chain

uni 1700



uni Flex Plastic Chain
 Side flexing chain
 Pitch: 50.0 mm (1.97 in)
 Backflex radius: 75.0 mm (3.00 in)
 Permissible tensile strength:
 POM material 4000 N (899 lbf)

 Delivery: 6.1 m (20.0 ft)
 No. of links/box: 122

STANDARD

E		G		K		L		P		T		V	
mm	in	mm	in	mm	in	mm	in	mm	in	mm	in	mm	in
8.0	0.31	59.0	2.32	11.9	0.37	12.0	0.47	50.0	1.97	3.1	0.12	24.0	0.94

All dimensions are for chains in POM material.

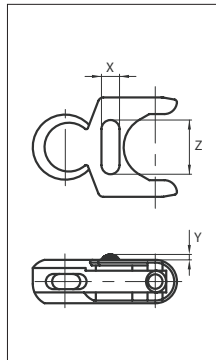
Width (W)		Material & color	Pin material	Weight		Min. radius (R)	
mm	in			kg/m	lb/ft	mm	in
55.0	2.17	POM-D W	SS304	1.4	0.94	150.0	5.91
		POM-D G					
		POM-LF W					
		POM-LF BR					
		GR K					

UNI FLEX PLASTIC CHAIN

Non standard material and color: See uni Material and Color Overview.
 Non standard pin material: See uni Material and Color Overview.

Accessories

Rubber Top



Link material	Rubber material	X		Z		Y	
		mm	in	mm	in	mm	in
POM-D W	05 I	10.0	0.39	30.0	1.18	3.0	0.12

When ordering, please state the required distance between the Rubber Top.

Other Non Standard rubber profiles:
 See uni Rubber Profile Overview

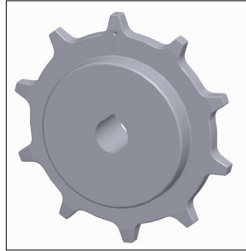


Sprocket

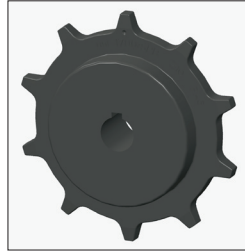
No of teeth	Pitch diameter		Overall-diameter		Min. ø bore		Max. ø bore		Hub-diameter		A-dimension		B-dimension		Molded PA66 LG	Molded Cast Iron	Machined PA66 N	Machined SS304
	mm	in	mm	in	mm	in	mm	in	mm	in	mm	in	mm	in				
Z8	130.7	5.14	133.0	5.20	20.00	0.80	40.00	1.60	63.00	2.50	47.90	1.90	82.40	3.20	x	x	x	x
Z10	161.8	6.37	166.1	6.50	20.00	0.80	40.00	1.60	63.00	2.50	64.50	2.50	97.30	3.80	x	x	x	x
Z12	193.2	7.61	196.0	7.70	20.00	0.80	40.00	1.60	63.00	2.50	80.80	3.20	112.40	4.40	x	x	x	
Z13	208.9	8.22	214.0	8.40	20.00	0.80	40.00	1.60	63.00	2.50	88.90	3.50	120.10	4.70	x	x	x	

Non standard material and color:
See uni Material and Color Overview.

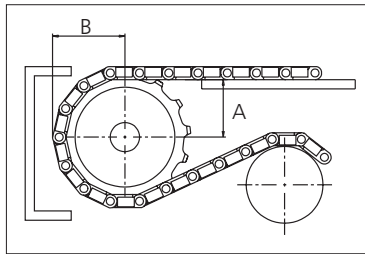
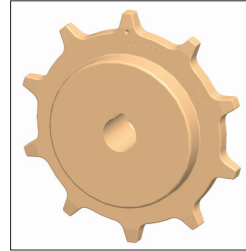
Molded sprocket



Cast iron sprocket



Machined sprocket



Please ensure that sufficient size shaft and keyway are chosen for corresponding load.

Other sprocket sizes are available upon request

Width of tooth: 15.8 mm/0.62 in

Width of sprocket: 42.3 mm/1.67 in

uni Retainer Rings: See uni Retainer Ring data sheet

uni Idler: See uni Idler data sheet

uni 1700/0412



Solid advice
For all your belting needs
Local stock & service
www.ammeraalbeltech.com

Ammeraal Beltech Modular A/S
Hjulmagervej 21
DK-7100 Vejle

T +45 7572 3100
F +45 7572 3348
admin@unichains.com
www.unichains.com

This information is subject to alteration due to continuous development. Ammeraal Beltech will not be held liable for the incorrect use of the above stated information. This information replaces previous information. All activities performed and services rendered by Ammeraal Beltech are subject to general terms and conditions of sale and delivery, as applied by its operating companies.