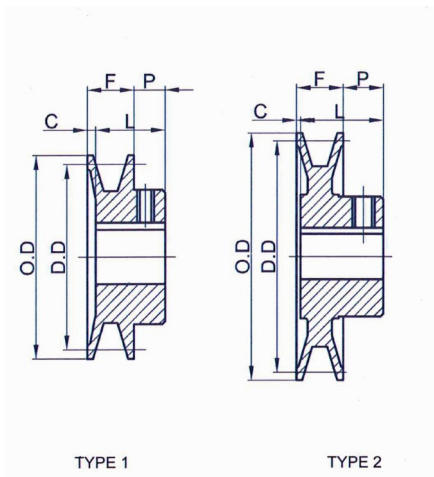
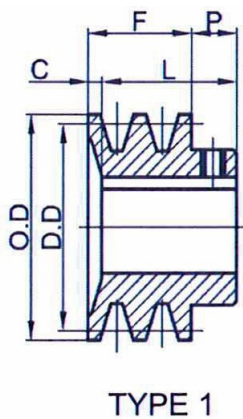




Cast Iron Pulleys



Part No.	Outside Dia	Datum "A"	Type	F	L	P	C
AK20	2.00"	1.80"	1	21/32" 16.66MM	15/16" 23.81MM	7/16" 11.11MM	5/32" 3.97MM
AK22	2.20"	2.00"	1	21/32" 16.66MM	15/16" 23.81MM	7/16" 11.11MM	5/32" 3.97MM
AK25	2.50"	2.30"	2	21/32" 16.66MM	15/16" 23.81MM	7/16" 11.11MM	5/32" 3.97MM
AK27	2.70"	2.50"	2	21/32" 16.66MM	15/16" 23.81MM	7/16" 11.11MM	5/32" 3.97MM
AK30	3.05"	2.80"	2	21/32" 16.66MM	15/16" 23.81MM	7/16" 11.11MM	5/32" 3.97MM



Part No.	Outside Dia	Datum "A"	Type	F	L	P	C
2AK20	2.00"	1.80"	1	1 3/8" 34.93MM	1 21/32" 42.06MM	15/32" 11.90MM	3/16" 4.76MM
2AK22	2.20"	2.00"	1	1 3/8" 34.93MM	1 21/32" 42.06MM	15/32" 11.90MM	3/16" 4.76MM
2AK25	2.50"	2.30"	1	1 3/8" 34.93MM	1 21/32" 42.06MM	15/32" 11.90MM	3/16" 4.76MM
2AK27	2.70"	2.50"	1	1 3/8" 34.93MM	1 21/32" 42.06MM	15/32" 11.90MM	3/16" 4.76MM
2AK30	3.05"	2.80"	1	1 3/8" 34.93MM	1 21/32" 42.06MM	15/32" 11.90MM	3/16" 4.76MM

Stocked bore size is 1/2"
 Pulleys come with two grub screws fitted