



## 8 poles - 750/900 rpm

	Description				Mechanical specifications								Electrical specifications			
	Code	Type	SIZE	 II2D Temp. class	Static moment* kgmm		Centrifugal force				Weight kg		Max input power W		Max. current A	
					50 Hz	60 Hz	50 Hz	60 Hz	50 Hz	60 Hz	50 Hz	60 Hz	50 Hz	60 Hz	400 V 50 Hz	460 V 60 Hz
three-phase	602568	MVSI 075/150-S02	20	• 130°C	163	163	<b>104</b>	<b>149</b>	<b>1.02</b>	<b>1.46</b>	19.0	19.0	230	250	0.85	0.76
	602575	MVSI 075/250-S02	30	• 130°C	286	286	<b>181</b>	<b>260</b>	<b>1.76</b>	<b>2.55</b>	27.5	27.5	350	380	1.10	1.05
	602645	MVSI 075/260-S02	35	• -	275	275	<b>174</b>	<b>250</b>	<b>1.71</b>	<b>2.45</b>	30.0	30.0	375	410	0.81	0.80
	602615	MVSI 075/400-S02	35	• -	457	457	<b>288</b>	<b>415</b>	<b>2.83</b>	<b>4.07</b>	36.5	36.5	375	410	0.81	0.80
	602616	MVSI 075/530-S02	35	• -	580	580	<b>365</b>	<b>528</b>	<b>3.60</b>	<b>5.20</b>	41.0	41.0	375	410	0.81	0.80
	602609	MVSI 075/660-S08	40	• 120°C	723	723	<b>456</b>	<b>656</b>	<b>4.47</b>	<b>6.44</b>	48.0	48.0	400	450	1.20	1.20
	602610	MVSI 075/910-S08	50	• 120°C	1012	1012	<b>637</b>	<b>917</b>	<b>6.25</b>	<b>9.00</b>	58.0	58.0	400	500	1.40	1.30
	602618	MVSI 075/1310-S08	60	• 150°C	1464	1464	<b>922</b>	<b>1327</b>	<b>9.04</b>	<b>13.0</b>	83.0	83.0	950	1100	2.20	2.20
	602619	MVSI 075/1750-S08	60	• 150°C	1927	1927	<b>1214</b>	<b>1747</b>	<b>11.9</b>	<b>17.1</b>	93.0	93.0	1100	1300	2.60	2.60
	602891	MVSI 075/2110-S02	70	• 135°C	2326	2326	<b>1463</b>	<b>2107</b>	<b>14.4</b>	<b>20.7</b>	130	130	1500	1790	4.10	4.20
	602884	MVSI 075/3110-S02	80	• 135°C	3422	3422	<b>2152</b>	<b>3099</b>	<b>21.1</b>	<b>30.4</b>	188	188	2000	2300	5.40	5.20
	602515	MVSI 075/3800-S02	80	• 135°C	4206	4206	<b>2645</b>	<b>3808</b>	<b>25.9</b>	<b>37.4</b>	204	204	2500	3000	6.00	6.00
	602862	MVSI 075/4200-S02	90	• 135°C	4658	4658	<b>2930</b>	<b>4218</b>	<b>28.7</b>	<b>41.4</b>	228	228	2800	3350	6.50	6.50
	602826	MVSI 075/5300-S02	90	• 135°C	5838	5838	<b>3672</b>	<b>5287</b>	<b>36.0</b>	<b>51.9</b>	258	258	4000	4300	8.20	7.85
	602827	MVSI 075/6500-S90	95	□ 135°C	7197	7197	<b>4526</b>	<b>6517</b>	<b>44.4</b>	<b>63.9</b>	315	315	4900	5800	9.90	9.50
	602551	MVSI 075/6800-S02	97	□ 135°C	7340	7340	<b>4616</b>	<b>6647</b>	<b>45.3</b>	<b>65.2</b>	330	330	5600	6000	10.5	10.0
	602870	MVSI 075/10000-S02	97	□ 135°C	12390	10973	<b>7792</b>	<b>9937</b>	<b>76.4</b>	<b>97.5</b>	438	419	6800	7450	13.2	12.0
	602863	MVSI 075/12000-S90	100	□ 135°C	13816	12407	<b>8689</b>	<b>11235</b>	<b>85.2</b>	<b>110</b>	540	520	7600	8300	14.0	13.5
	602871	MVSI 075/14000-S02	105	□ 135°C	17946	15500	<b>11285</b>	<b>14036</b>	<b>111</b>	<b>138</b>	702	680	9200	9600	21.0	19.5
602872	MVSI 075/17000-S02	105	□ 135°C	21337	19064	<b>13418</b>	<b>17263</b>	<b>132</b>	<b>169</b>	755	711	10400	11140	22.0	20.0	
602873	MVSI 075/22000-S90	110	□ 135°C	28633	24508	<b>18005</b>	<b>22192</b>	<b>177</b>	<b>218</b>	1015	981	12500	16200	26.5	28.0	
602535	MVSI 075/26000-S90	110	□ 135°C	-	28633	-	<b>25927</b>	-	<b>254</b>	-	1015	-	16200	-	28.0	
602589	MVSI 075/30000-S02	120	-	-	33440	33440	<b>21070</b>	<b>30430</b>	<b>207</b>	<b>299</b>	1125	1160	-	-	-	-

\* Working moment = 2 x static moment.    ▲ For special application.    □ CSA certification on request, with feeding line included.



Fig. A

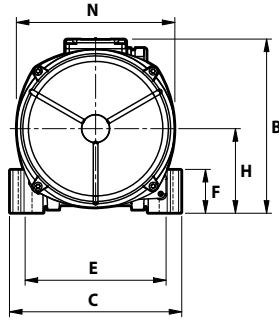
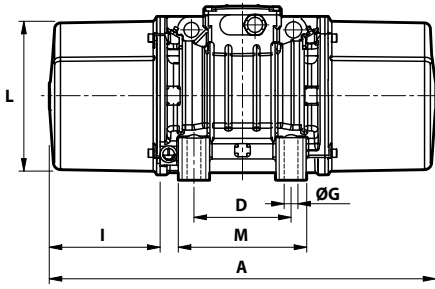
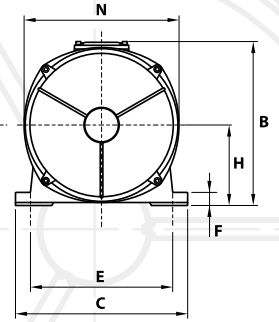
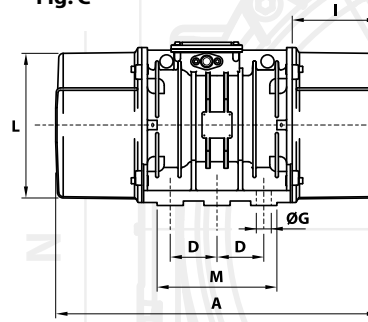


Fig. C



Dimensional specifications (mm)

I <sub>A</sub> /I <sub>N</sub>	Type	Fig.	A	B	C	D	E	Holes		F	H	I	L	M	N	Cable entry thread
								øG	N°							
50 Hz 60 Hz																
2.13 2.11	MVSI 075/150-S02	A	344	203	167	105	140	13	4	30	82.5	93	145	140	160	M25x1,5
2.03 2.29	MVSI 075/250-S02	A	394	216	205	120	170	17	4	45	93.5	106	170	160	182	M25x1,5
2.22 2.94	MVSI 075/260-S02	A	372	225	205	120	170	17	4	54	104.5	86.0	187	162	203	M25x1,5
2.22 2.38	MVSI 075/400-S02	A	435	225	205	120	170	17	4	54	104.5	117.5	187	162	203	M25x1,5
2.22 2.38	MVSI 075/530-S02	A	480	225	205	120	170	17	4	54	104.5	140	187	162	203	M25x1,5
2.38 2.58	MVSI 075/660-S08	A	500	246	230	140	190	17	4	54	116	134	207	190	225	M25x1,5
2.38 2.85	MVSI 075/910-S08	A	574	246	230	140	190	17	4	54	116	171	207	190	225	M25x1,5
2.63 3.41	MVSI 075/1310-S08	A	617	272	275	155	225	22	4	70	130	177	238	210	253	M25x1,5
2.78 3.04	MVSI 075/1750-S08	A	663	272	275	155	225	22	4	70	130	200	238	210	253	M25x1,5
3.55 2.95	MVSI 075/2110-S02	A	666	321	310	155	255	23.5	4	77	157	178	277	215	295	M25x1,5
3.98 4.62	MVSI 075/3110-S02	A	734	347	340	180	280	26	4	80	165	202	303	240	320	M32x1,5
4.00 4.20	MVSI 075/3800-S02	A	796	347	340	180	280	26	4	80	165	233	303	240	320	M32x1,5
3.84 4.00	MVSI 075/4200-S02	A	744	370	390	200	320	28	4	90	180	192	330	270	350	M32x1,5
3.87 5.35	MVSI 075/5300-S02	A	840	370	390	200	320	28	4	90	180	240	330	270	350	M32x1,5
3.04 3.26	MVSI 075/6500-S90 Δ	A	870	395	392	200	320	28	4	100	192	255	355	270	375	M32x1,5
3.12 3.30	MVSI 075/6800-S02	C	862	437	460	125	380	39	6	35	215	230	387	320	414	M32x1,5
3.33 3.92	MVSI 075/10000-S02	C	1002	437	460	125	380	39	6	35	215	300	387	320	414	M32x1,5
3.72 3.78	MVSI 075/12000-S90	C	1070	454	530	140	440	45	6	38	230	280	423	370	448	M32x1,5
4.99 5.44	MVSI 075/14000-S90	F	1040	526	570	140	480	45	8	41	268	240	486	510	516	M32x1,5
5.50 5.90	MVSI 075/17000-S90	F	1120	526	570	140	480	45	8	41	268	280	486	510	516	M32x1,5
5.63 4.71	MVSI 075/22000-S90	F	1150	607	610	140	520	45	8	38	297	297.5	542	510	582	M32x1,5
- 4.71	MVSI 075/26000-S90	F	1150	607	610	140	520	45	8	38	297	297.5	542	510	582	M32x1,5
- -	MVSI 075/30000-S02	Q	1205	648	700	140	600	45	8	45	320	310	600	510	660	M32x1,5

I<sub>A</sub>/I<sub>N</sub> = ratio between start-up current and maximum current.

Several sizes are available with different mounting bolt patterns. Please contact sales office at Italtibras.

Fig. F

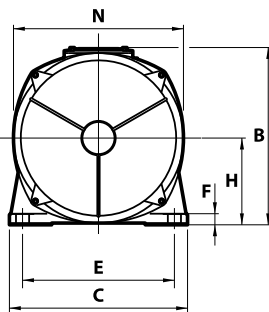
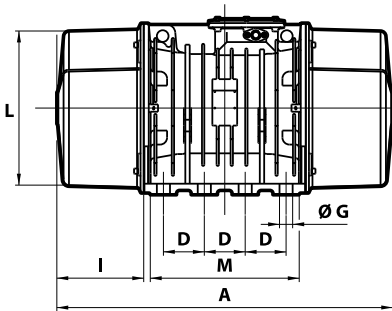


Fig. Q

