

## 4 poles - 1500/1800 rpm

Description		Mechanical specifications										Electrical specifications					
Code	Type	SIZE	SFA	Ex II2D Temp. class	Static moment* kgmm		Centrifugal force kg kN				Weight kg		Max input power W		Max. current A		
					50 Hz	60 Hz	50 Hz	60 Hz	50 Hz	60 Hz	50 Hz	60 Hz	50 Hz	60 Hz	400 V 50 Hz	460 V 60 Hz	
three-phase	601340	MVSI 15/35-S02	00	•	120°C	12.0	12.0	30.2	43.5	0.30	0.43	5.60	5.60	85	95	0.21	0.20
	601341	MVSI 15/80-S02	01	•	120°C	31.0	21.0	77.9	76.1	0.76	0.75	6.70	6.40	85	95	0.21	0.20
	601366	MVSI 15/100-S02	01	•	120°C	38.9	31.0	97.9	112	0.96	1.10	7.10	6.70	85	95	0.21	0.20
	601367	MVSI 15/200-S02	10	•	120°C	84.2	58.8	213	214	2.09	2.10	12.5	11.7	170	170	0.41	0.40
	601372	MVSI 15/400-S02	20	•	120°C	163	113	412	411	4.04	4.03	19.0	18.2	300	350	0.60	0.60
	601373	MVSI 15/550-S02	20	•	120°C	219	163	552	592	5.42	5.81	20.4	19.0	300	350	0.60	0.60
	601408	MVSI 15/700-S02	30	•	120°C	286	209	720	760	7.06	7.46	27.5	26.2	525	665	0.92	0.98
	601513	MVSI 15/900-S02	30	•	120°C	357	286	900	1037	8.83	10.2	30.0	27.5	525	665	0.92	0.98
	601524	MVSI 15/1100-S02	35	•	120°C	415	271	1045	982	10.3	9.63	35.0	30.5	550	680	0.95	0.95
	601217	MVSI 15/1410-S02	40	•	120°C	561	400	1413	1449	13.9	14.2	44.0	41.0	900	1050	1.45	1.50
	601219	MVSI 15/1710-S02	50	•	150°C	715	485	1798	1757	17.6	17.2	51.0	48.5	1100	1200	2.00	1.90
	601267	MVSI 15/2000-S02	50	•	170°C	817	561	2054	2033	20.1	19.9	55.5	51.5	1350	1450	2.50	2.30
	601220	MVSI 15/2410-S08	60	•	150°C	962	674	2420	2444	23.7	24.0	71.0	66.0	1600	1700	3.20	3.00
	601268	MVSI 15/3000-S08	60	•	135°C	1235	858	3106	3107	30.5	30.5	80.0	73.5	1900	2000	3.80	3.50
	601221	MVSI 15/3810-S02	70	•	135°C	1526	1034	3840	3744	37.7	36.7	119	110	2200	2500	3.90	3.90
	601269	MVSI 15/4300-S02	70	•	135°C	1720	1173	4326	4250	42.4	41.7	123	117	2500	2800	4.80	4.65
	601211	MVSI 15/5010-S02	80	•	135°C	1990	1364	5007	4941	49.1	48.5	161	153	3600	3400	6.00	5.00
	601447	MVSI 15/6000-S02	80	•	135°C	2248	1677	5654	6075	55.5	59.6	163.5	155	3600	3400	6.00	5.00
	601165	MVSI 15/7000-S02	90	•	135°C	2598	1822	6536	6600	64.1	64.7	198	185	6000	6000	10.5	9.00
	601166	MVSI 15/9000-S90	95	□	135°C	3260	2260	8199	8183	80.4	80.3	225	210	7000	8000	11.6	11.5
601204	MVSI 15/9500-S02	97	□	135°C	3346	2462	8416	8916	82.6	87.5	317	303	7500	8500	12.2	12.0	
601205	MVSI 15/11500-S90	100	□	135°C	4544	3166	11430	11467	112	112	433	411	10000	10500	17.5	15.5	
601271	MVSI 15/14500-S90	100	□	135°C	5614	4126	14120	14940	138	147	458	424	11000	12000	20.0	20.0	
single-phase	601340	MVSI 15/35-S02	00	•	120°C	12.0	12.0	30.2	43.5	0.30	0.43	5.60	5.60	90	100	0.43	1.00
	601341	MVSI 15/80-S02	01	•	120°C	31.0	21.0	77.9	76.1	0.76	0.75	6.70	6.40	90	100	0.43	1.00
	601366	MVSI 15/100-S02	01	•	120°C	38.9	31.0	97.9	112	0.96	1.10	7.10	6.70	90	100	0.43	1.00
	601367	MVSI 15/200-S02	10	•	120°C	84.2	58.8	213	214	2.09	2.10	12.5	11.7	210	230	1.00	2.00
	601372	MVSI 15/400-S02	20	•	120°C	163	113	412	411	4.04	4.03	19.0	18.2	240	320	1.20	2.80
	601373	MVSI 15/550-S02	20	•	120°C	219	163	552	592	5.42	5.81	20.4	19.0	240	320	1.20	2.80
	601408	MVSI 15/700-S02	30	•	120°C	286	209	720	760	7.06	7.46	27.5	26.2	450	550	2.15	5.15

220 V 50 Hz 115 V 60 Hz

\*\* Working moment = 2 x static moment.

□ CSA certification on request, with feeding line included.

Fig. A

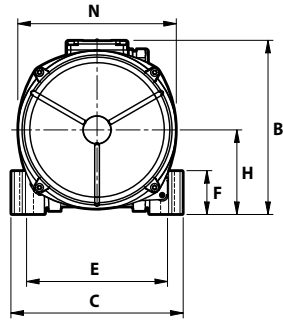
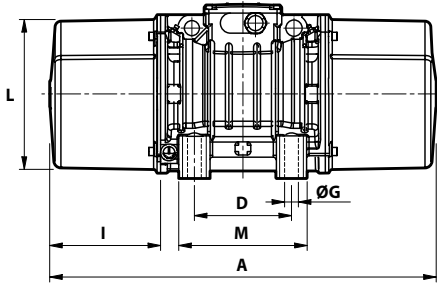
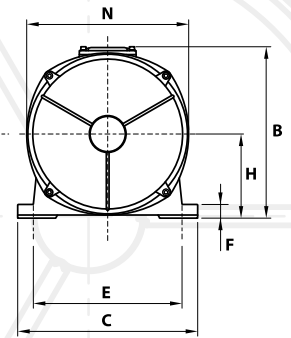
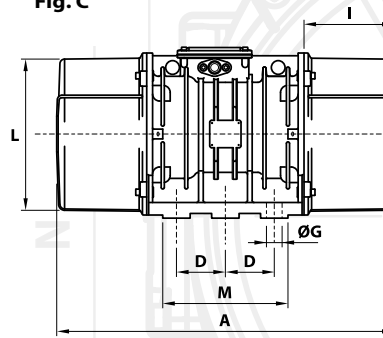


Fig. C



Dimensional specifications (mm)

I <sub>A</sub> /I <sub>N</sub>	Type	Fig.	A	B	C	D	E	Holes				I	L	M	N	Capacitor (µF)		Cable entry thread
								ØG	N°	F	H					220 V 50 Hz	115 V 60 Hz	
1.78 1.95	MVSI 15/35-S02	A	211	153	125	62-74**	106	9	4	24	61	46	103	100	117	-	-	M20x1,5
1.78 1.95	MVSI 15/80-S02	A	235	153	125	62-74**	106	9	4	24	61	58	103	100	117	-	-	M20x1,5
1.78 1.95	MVSI 15/100-S02	A	249 (50Hz) 235 (60Hz)	153	125	62-74**	106	9	4	24	61	65 (50Hz) 58 (60Hz)	103	100	117	-	-	M20x1,5
2.34 2.75	MVSI 15/200-S02	A	301	179	152	90	125	13	4	28	73	77	127	128	141	-	-	M20x1,5
3.33 3.50	MVSI 15/400-S02	A	344	203	167	105	140	13	4	30	82.5	93	145	140	160	-	-	M25x1,5
3.33 3.50	MVSI 15/550-S02	A	386	203	167	105	140	13	4	30	82.5	114	145	140	160	-	-	M25x1,5
3.48 3.43	MVSI 15/700-S02	A	394	216	205	120	170	17	4	45	93.5	106	170	160	182	-	-	M25x1,5
3.48 3.43	MVSI 15/900-S02	A	394	216	205	120	170	17	4	45	93.5	106	170	160	182	-	-	M25x1,5
4.45 4.89	MVSI 15/1100-S02	A	435	225	205	120	170	17	4	54	104.5	117.5	187	162	203	-	-	M25x1,5
4.10 4.20	MVSI 15/1410-S02	A	448	246	230	140	190	17	4	54	116	108	207	190	225	-	-	M25x1,5
4.29 4.89	MVSI 15/1710-S02	A	500	246	230	140	190	17	4	54	116	134	207	190	225	-	-	M25x1,5
4.30 4.90	MVSI 15/2000-S02	A	574 (50Hz) 500 (60Hz)	246	230	140	190	17	4	54	116	171 (50Hz) 134 (60Hz)	207	190	225	-	-	M25x1,5
6.09 7.23	MVSI 15/2410-S08	A	537	272	275	155	225	22	4	70	130	137	238	210	253	-	-	M25x1,5
6.15 7.50	MVSI 15/3000-S08	A	617	272	275	155	225	22	4	70	130	177	238	210	253	-	-	M25x1,5
7.11 6.92	MVSI 15/3810-S02	A	584	321	310	155	255	23.5	4	77	157	137	277	215	295	-	-	M25x1,5
5.90 5.81	MVSI 15/4300-S02	A	666 (50Hz) 584 (60Hz)	321	310	155	255	23.5	4	77	157	178 (50Hz) 137 (60Hz)	277	215	295	-	-	M25x1,5
7.02 8.00	MVSI 15/5010-S02	A	630	347	340	180	280	26	4	80	165	150	303	240	320	-	-	M32x1,5
7.02 8.00	MVSI 15/6000-S02	A	630	347	340	180	280	26	4	80	165	150	303	240	320	-	-	M32x1,5
6.48 7.67	MVSI 15/7000-S02	A	680	370	390	200	320	28	4	90	180	160	330	270	350	-	-	M32x1,5
5.43 5.57	MVSI 15/9000-S90	A	629	395	392	200	320	28	4	100	192	134,5	355	270	375	-	-	M32x1,5
6.56 6.67	MVSI 15/9500-S02	C	862	437	460	125	380	39	6	35	215	230	387	320	414	-	-	M32x1,5
7.03 8.00	MVSI 15/11500-S90	C	990	454	530	140	440	45	6	38	230	240	423	370	448	-	-	M32x1,5
8.00 8.00	MVSI 15/14500-S90	C	990	454	530	140	440	45	6	38	230	240	423	370	448	-	-	M32x1,5
1.20 1.30	MVSI 15/35-S02	A	211	153	125	62-74**	106	9	4	24	61	46	103	100	117	3.15	25	M20x1,5
1.20 1.30	MVSI 15/80-S02	A	235	153	125	62-74**	106	9	4	24	61	58	103	100	117	3.15	25	M20x1,5
1.20 1.30	MVSI 15/100-S02	A	249 (50Hz) 235 (60Hz)	153	125	62-74**	106	9	4	24	61	65 (50Hz) 58 (60Hz)	103	100	117	3.15	25	M20x1,5
1.50 1.85	MVSI 15/200-S02	A	301	179	152	90	125	13	4	28	73	77	127	128	141	5	25	M20x1,5
2.50 2.21	MVSI 15/400-S02	A	344	203	167	105	140	13	4	30	82.5	93	145	140	160	32/12◦	35	M25x1,5
2.50 2.21	MVSI 15/550-S02	A	386	203	167	105	140	13	4	30	82.5	114	145	140	160	32/12◦	40/35◦	M25x1,5
5.44 3.63	MVSI 15/700-S02	A	381	210	205	120	170	17	4	45	91.5	88	168	160	178	96/16◦	160/40◦	M25x1,5

I<sub>A</sub>/I<sub>N</sub> = ratio between start-up current and maximum current. \*\* Slot ◦ Start-up capacitor / Running capacitor.  
 Several sizes are available with different mounting bolt patterns. Please contact sales office at Italvibras.