

## 2 poles - 3000/3600 rpm

Description		Mechanical specifications										Electrical specifications					
Code	Type	SIZE	SFA	Ex	II2D Temp. class	Static moment* kgmm		Centrifugal force kN				Weight kg		Max input power W		Max. current A	
						50 Hz	60 Hz	50 Hz	60 Hz	50 Hz	60 Hz	50 Hz	60 Hz	50 Hz	60 Hz	400 V 50 Hz	460 V 60 Hz
three-phase	600311	MVSI 3/100-S02	00	•	120°C	12.0	12.0	<b>121</b>	<b>174</b>	<b>1.19</b>	<b>1.71</b>	5.60	5.60	180	180	0.35	0.30
	600312	MVSI 3/200-S02	01	•	120°C	21.0	15.0	<b>211</b>	<b>218</b>	<b>2.07</b>	<b>2.14</b>	6.40	6.20	180	180	0.35	0.30
	600313	MVSI 3/300-S02	10	•	120°C	30.1	20.4	<b>304</b>	<b>297</b>	<b>2.98</b>	<b>2.91</b>	9.70	9.20	260	270	0.60	0.50
	600314	MVSI 3/500-S02	20	•	120°C	49.9	32.4	<b>503</b>	<b>471</b>	<b>4.93</b>	<b>4.62</b>	14.8	13.8	450	500	0.80	0.75
	600366	MVSI 3/700-S02	20	•	120°C	72.8	-	<b>734</b>	-	<b>7.19</b>	-	15.1	-	450	-	0.80	-
	600381	MVSI 3/800-S02	30	•	120°C	78.0	52.0	<b>785</b>	<b>754</b>	<b>7.70</b>	<b>7.40</b>	21.0	20.0	650	685	1.10	1.00
	600513	MVSI 3/1100-S02	35	•	120°C	110	73.0	<b>1105</b>	<b>1061</b>	<b>10.8</b>	<b>10.4</b>	23.0	22.0	1000	1200	1.75	1.75
	600491	MVSI 3/1300-S08	AF33	•	200°C	128	91.6	<b>1290</b>	<b>1327</b>	<b>12.7</b>	<b>13.0</b>	27.0	25.7	1300	1350	2.10	1.90
	600504	MVSI 3/1500-S08	AF33	•	200°C	146	110	<b>1470</b>	<b>1595</b>	<b>14.4</b>	<b>15.6</b>	25.3	24.0	1300	1350	2.10	1.90
	600502	MVSI 3/1600-S02	50	•	200°C	153	102	<b>1545</b>	<b>1483</b>	<b>15.2</b>	<b>14.5</b>	33.0	31.5	1400	1450	2.30	2.00
	600503	MVSI 3/1800-S02	50	•	200°C	179	128	<b>1802</b>	<b>1853</b>	<b>17.7</b>	<b>18.2</b>	34.0	32.5	2000	2000	3.30	2.90
	600256	MVSI 3/2010-S90	AF50	•	200°C	205	128	<b>2059</b>	<b>1853</b>	<b>20.2</b>	<b>18.2</b>	48.7	46.3	2200	2200	3.50	3.00
	600257	MVSI 3/2310-S90	AF50	•	200°C	230	153	<b>2316</b>	<b>2224</b>	<b>22.7</b>	<b>21.8</b>	49.6	47.1	2200	2200	3.50	3.00
	600470	MVSI 3/3200-S02	AF70	•	135°C	344	215	<b>3457</b>	<b>3112</b>	<b>33.9</b>	<b>30.5</b>	94.0	90.0	4000	4000	6.50	5.60
	600471	MVSI 3/4000-S02	AF70	•	135°C	387	258	<b>3890</b>	<b>3735</b>	<b>38.2</b>	<b>36.6</b>	96.0	92.0	4000	4000	6.50	5.60
	600472	MVSI 3/5000-S02	AF70	•	135°C	515	344	<b>5187</b>	<b>4979</b>	<b>50.9</b>	<b>48.8</b>	109	105	5000	5000	7.60	6.90
600276	MVSI 3/6510-S02	90	•	135°C	630	443	<b>6357</b>	<b>6420</b>	<b>62.4</b>	<b>63.0</b>	184	178	5500	5500	9.20	8.00	
600201	MVSI 3/9000-S90	95	-	135°C	895	619	<b>9007</b>	<b>8970</b>	<b>88.4</b>	<b>88.0</b>	215	210	10000	9300	18.0	13.0	
															220 V 50 Hz	115 V 60 Hz	
Single-phase	600311	MVSI 3/100-S02	00	•	120°C	12.0	12.0	<b>121</b>	<b>174</b>	<b>1.19</b>	<b>1.71</b>	5.60	5.60	165	165	0.75	1.52
	600312	MVSI 3/200-S02	01	•	120°C	21.0	15.0	<b>211</b>	<b>218</b>	<b>2.07</b>	<b>2.14</b>	6.40	6.20	165	165	0.75	1.52
	600313	MVSI 3/300-S02	10	•	120°C	30.1	20.4	<b>304</b>	<b>297</b>	<b>2.98</b>	<b>2.91</b>	9.70	9.20	280	280	1.25	2.40
	600314	MVSI 3/500-S02	20	•	120°C	49.9	32.4	<b>503</b>	<b>471</b>	<b>4.93</b>	<b>4.62</b>	14.8	13.8	500	500	2.30	4.50
	600366	MVSI 3/700-S02	20	•	120°C	72.8	-	<b>734</b>	-	<b>7.19</b>	-	15.1	-	500	-	2.30	-
	600381	MVSI 3/800-S02	30	•	120°C	78.0	52.0	<b>785</b>	<b>754</b>	<b>7.70</b>	<b>7.40</b>	16.8	15.9	700	750	3.25	7.00

\* Working moment = 2 x static moment.

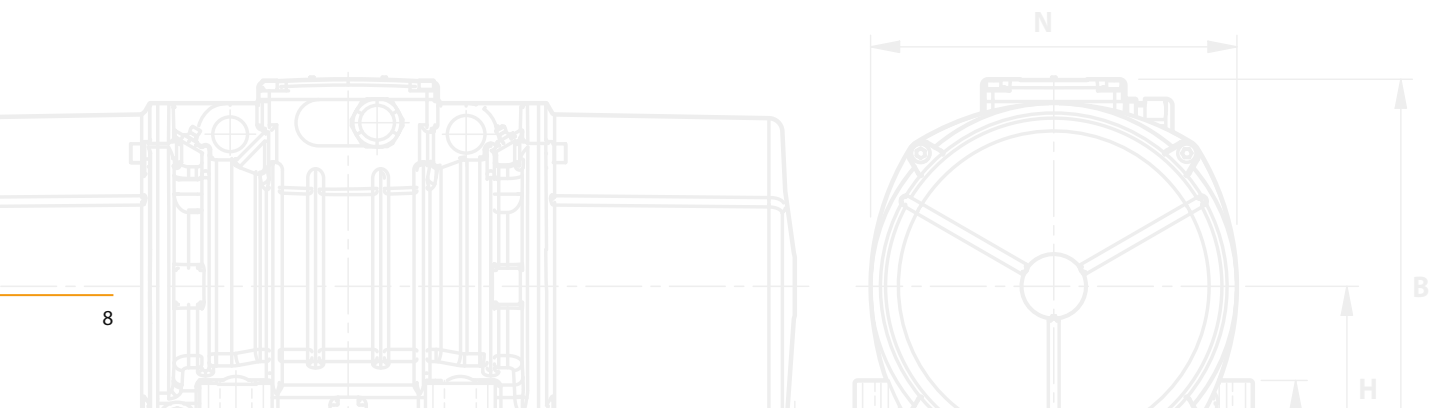
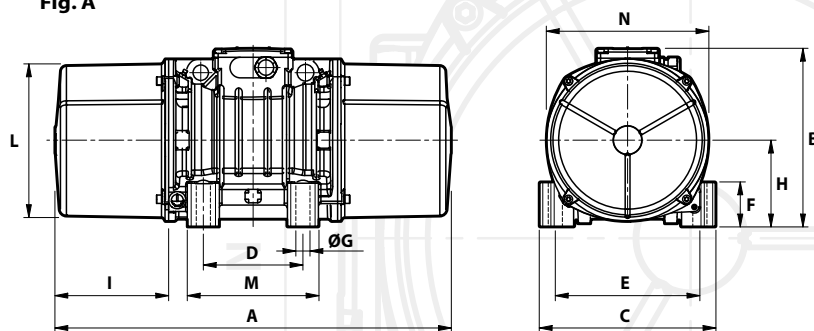


Fig. A



Dimensional specifications (mm)

I <sub>A</sub> /I <sub>N</sub>		Type	Fig.	A	B	C	D	E	Holes		F	H	I	L	M	N	Capacitor (µF)		Cable entry thread
50 Hz	60 Hz								øG	N°							220 V 50 Hz	115 V 60 Hz	
2.68	3.00	MVSI 3/100-S02	A	211	153	125	62-74**	106	9	4	24	61	46	103	100	117	-	-	M20x1,5
2.68	3.00	MVSI 3/200-S02	A	235	153	125	62-74**	106	9	4	24	61	58	103	100	117	-	-	M20x1,5
3.47	4.20	MVSI 3/300-S02	A	255	179	152	90	125	13	4	28	73	54	127	128	141	-	-	M20x1,5
4.21	4.80	MVSI 3/500-S02	A	288	203	167	105	140	13	4	30	82.5	65	145	140	160	-	-	M25x1,5
4.21	-	MVSI 3/700-S02	A	288	203	167	105	140	13	4	30	82.5	65	145	140	160	-	-	M25x1,5
3.83	6.00	MVSI 3/800-S02	A	308	216	205	120	170	17	4	45	93.5	63	170	160	182	-	-	M25x1,5
3.63	4.00	MVSI 3/1100-S02	A	435	225	205	120	170	17	4	54	104.5	117.5	187	162	203	-	-	M25x1,5
3.96	4.98	MVSI 3/1300-S08	A	375	216.5	215	100	180	17	4	47	93,5	106	170	145	182	-	-	M25x1,5
3.96	4.98	MVSI 3/1500-S08	A	375	216.5	215	100	180	17	4	47	93,5	106	170	145	182	-	-	M25x1,5
4.95	6.12	MVSI 3/1600-S02	A	430	246	230	140	190	17	4	54	116	99	207	190	225	-	-	M25x1,5
4.33	5.50	MVSI 3/1800-S02	A	430	246	230	140	190	17	4	54	116	99	207	190	225	-	-	M25x1,5
4.62	6.00	MVSI 3/2010-S90	A	465	230	230	140	190	17	4	49	104	105	186	180	200	-	-	M25x1,5
4.62	6.00	MVSI 3/2310-S90	A	465	230	230	140	190	17	4	49	104	105	186	180	200	-	-	M25x1,5
4.46	5.18	MVSI 3/3200-S02	A	560	290	310	155	255	25	4	90	130	137	238	210	253	-	-	M25x1,5
4.46	5.18	MVSI 3/4000-S02	A	560	290	310	155	255	25	4	90	130	137	238	210	253	-	-	M25x1,5
5.54	7.10	MVSI 3/5000-S02	A	560	290	310	155	255	25	4	90	130	137	238	210	253	-	-	M25x1,5
6.45	7.20	MVSI 3/6510-S02	A	680	370	390	200	320	28	4	90	180	160	330	270	350	-	-	M32x1,5
4.39	5.23	MVSI 3/9000-S90	A	629	395	392	200	320	28	4	100	192	134.5	355	270	375	-	-	M32x1,5
1.67	2.24	MVSI 3/100-S02	A	211	153	125	62-74**	106	9	4	24	61	46	103	100	117	10	28	M20x1,5
1.67	2.24	MVSI 3/200-S02	A	235	153	125	62-74**	106	9	4	24	61	58	103	100	117	10	28	M20x1,5
2.48	3.52	MVSI 3/300-S02	A	255	179	152	90	125	13	4	28	73	54	127	128	141	16	25	M20x1,5
3.35	4.22	MVSI 3/500-S02	A	288	203	167	105	140	13	4	30	82.5	65	145	140	160	12.5	50	M25x1,5
3.35	-	MVSI 3/700-S02	A	288	203	167	105	140	13	4	30	82.5	65	145	140	160	12.5	-	M25x1,5
4.00	4.14	MVSI 3/800-S02	A	307	210	205	120	170	17	4	45	91.5	51	168	160	178	25	90	M25x1,5

I<sub>A</sub>/I<sub>N</sub> = ratio between start-up current and maximum current. \*\* Slot.

Several sizes are available with different mounting bolt patterns. Please contact sales office at Italvibras.